

## ST5484E 2-WIRE SEISMIC VIBRATION TRANSMITTER

### Installation Manual

#### 1. OVERVIEW



Flying Leads



4-Pin Terminal Block

The ST5484E Seismic Vibration Transmitter combines a vibration sensor and signal conditioner in a single package for sensing machinery vibration level and transmitting a proportional 4-20 mA signal directly to PLCs, DCSs, monitors, and computers. Versions with 2 wires, 4 wires, terminal blocks, or MIL-type connector are available.

The transmitter has no moving parts and is encapsulated in a stainless steel housing. Each transmitter is factory calibrated to the sensitivity marked on the label. An optional dynamic signal output can be specified.



2-Pin Terminal Block



2-Pin MIL Connector

Refer to Metrix Datasheet 1004457 for specifications, ordering information, and outline dimensions.

#### 2. MOUNTING

It is important to solidly mount the transmitter body to the machine surface. Refer to section 6 on transducer placement. Different machine preparations are required for the two basic transmitter mounting styles; NPT (National Pipe Thread) and machine thread (UNF and Metric). Transmitters with the NPT type mounting stud are secured by the thread engagement and the base of the transmitter does not contact the machine surface. Transmitters with the machine thread studs must contact the machine surface. The base of the transmitter must make square and direct contact. This requires preparing the surface of the machine with a 1 1/2 inch counter bore (surfacing tool). This tool can be used with a portable



drill equipped with a magnetic base but care must be taken so that the tapped and threaded hole is perpendicular to the machined surface. The transmitter must make contact all the way around its base surface. Contact Metrix for more detailed counter bore instructions.

If installing a transmitter with a standard 1/4 inch NPT stud, drill a hole using a 7/16 inch bit, 5/8-7/8 inch deep. Then tap using a 1/4 - 18 NPT (tapered pipe tap). Hand-tighten the transmitter and then turn an additional 1 to 2 turns using a wrench on the wrench flats. **Do not use a pipe wrench.** A pipe wrench can apply extreme forces to the body and potentially damage electronic components. A minimum of five (5) threads of engagement should be made. A 1/4 inch to 1/2 inch NPT bushing is available for mounting the transmitter in existing 1/2 inch NPT holes. Also, a Metrix model 7084 Flange Adapter can be used between the transmitter and the machine surface when there is not enough surface thickness to drill and tap a hole. The flange adaptor mounts with three small screws.


If installing a transmitter with one of the straight machined thread sizes, follow standard drill and tap procedures. Do not drill a hole larger than the counter bore pilot diameter before using the counter bore to prepare the machine surface. Drill out the hole with the correct tap drill size after preparing the surface.

The sensitive axis of the transmitter is in line with the mounting stud. The transmitter can be oriented in any (0 to 360 degree) position.

### 3. WIRING

#### 3.1 General

The ST5484E is connected like other loop powered transmitters. The following is a summary based on area designations.

**CAUTION:** Use of a high-speed torque screwdriver may damage the terminal blocks.

Connect the field wiring in accordance with the appropriate portion of Figure 1.

The ST5484E transmitter requires a minimum of 11 VDC for proper operation. This is the minimum voltage required at the transmitter (not the power supply), after all other voltage drops across field wiring and receiver input impedance have been accounted for with the maximum 20mA of loop current flowing. The minimum loop power supply voltage required is therefore 11 VDC plus 1 volt for each 50 Ω of total loop resistance.

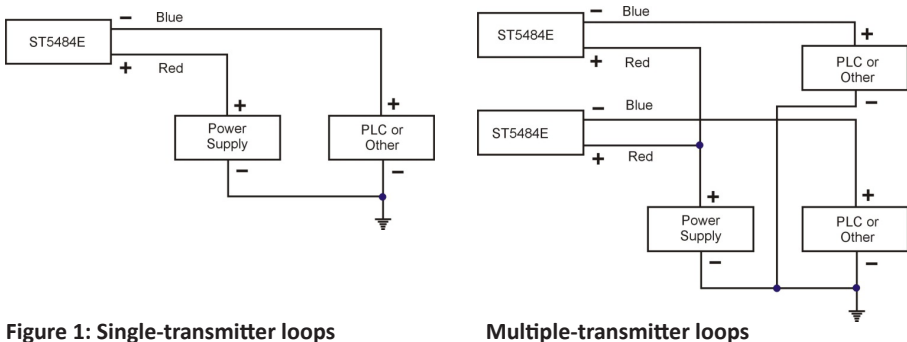


Figure 1: Single-transmitter loops

Multiple-transmitter loops

**Example:**

Component	Resistance
Signal wiring	10 Ω
DC Input Impedance of receiver	250 Ω
<b>TOTAL LOOP RESISTANCE</b>	<b>260 Ω</b>

Minimum supply voltage = 260 Ω (1 V/50 Ω) + 11 V = 16.2 VDC

The maximum loop power supply voltage that may be applied is 29.6 VDC (intrinsically safe) or 30VDC (explosion proof and non-incendive). The maximum loop resistance (RL) is calculated by the equation: **RL = 50 (VS - 11) Ω**

Example: RL = 50 (24 - 11) = 650 Ω for a 24 VDC loop supply.

### 3.2 Intrinsically Safe Installation In Hazardous Locations

Connect the field wiring in accordance with Metrix drawing 9426 for CSA Class I, (A,B,C & D) and Metrix drawing 9278 for IECEx / ATEX (Ex ia IIC T4 Ga) approvals. The leads must be terminated inside an enclosure with a degree of protection of at least IP20. A Metrix elbow from the 8200 series may be used for these purposes. Refer to Metrix Datasheet 1004457 for additional details on accessories. The ambient temperature range is -40°C to 100°C.

The transmitter requires a minimum of 11 VDC for proper operation. The voltage drop across the specified non-isolated barriers with a 20 mA loop current is 8.1 VDC. As such, The minimum loop power supply voltage required is 19.1 VDC plus 1 volt for each 50 Ω of loop resistance. The maximum loop power supply voltage that may be applied to the safety barrier is 26 VDC. Therefore, the maximum loop resistance with a 26 VDC supply is 345 Ω.

**Example:**

Component	Resistance
Signal wiring	5 Ω
DC Input Impedance of receiver	100 Ω
<b>TOTAL LOOP RESISTANCE</b>	<b>105 Ω</b>

Minimum supply voltage = 105 (1 V/50 Ω) + 19.1 V = 21.2 VDC

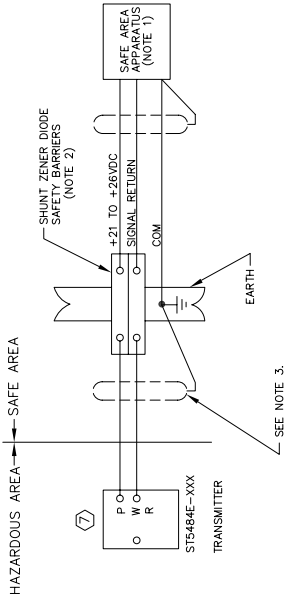
### 3.3 Explosion-Proof Installation In Hazardous Locations (CSA)

Some models of ST5484E transmitters are CSA certified explosion-proof, CSA US/C, Class I, Div 1, Grps B-D and Class II, Div 1, Grps E-G (explosion proof). Connect the field wiring in accordance with the appropriate portion of Figure 1. Refer to section 3.1 for loop voltage and resistance requirements. All conduit and junction boxes used must be certified explosion-proof for the class, division, and group required by the application. Installation of the transmitter must meet all of the explosion-proof installation requirements of the local governing agency and facility safety procedures.

### 3.4 Flame-Proof Installation In Hazardous Locations (ATEX, IECEx)

Some models of ST5484E transmitters are ATEX/IECEx certified flame-proof, Ex d IIC T4 Gb. Connect the field wiring in accordance with the appropriate portion of Figure 1. Refer to section 3.1 for loop voltage and resistance requirements. All conduit and junction boxes used must be certified flame-proof for the area required by the application. Installation of the transmitter

INSTALLATION –  
PROXIMITY SENSOR IN HAZARDOUS LOCATION  
CSA



Entity Parameters	
$V_{max}$ , $V_i$	= 29.6V
$I_{max}$ , $I_i$	= 100mA
$P_i$	= 0.74W
$C_i$	= 70.4nF
$L_i$	= 0.5mH

AGENCY APPROVED PRODUCT  
DO NOT DEVIATE FROM  
DO NOT INDIcate A FUNCTION  
OR LISTED PARTS

Verifie 'et Certifie'  
conforme a l'execution

1. NOTES: (UNLESS OTHERWISE SPECIFIED)  
1. SAFE AREA APPARATUS IS NOT SPECIFIED EXCEPT THAT IT MUST NOT BE SUPPLIED FROM NOR ACCEPTED FROM A SOURCE OF POTENTIAL WITH RESPECT TO EARTH IN EXCESS OF 250 VRMS OR 250 VDC.
2. THE SAFETY BARRIER MUST CONFORM TO THE FOLLOWING:  

$$V_{oc}, V_o \leq V_{max}, V_i$$

$$I_{sc}, I_i, I_{max}, I_i;$$

$$P_o \leq P_i$$
3. CIRCUIT IN HAZARDOUS AREA MUST BE CAPABLE OF WITHSTANDING SHORT CIRCUIT TO EARTH OR TO THE FRAME OF THE APPARATUS FOR ONE MINUTE.
4. THE CAPACITANCE AND EITHER THE INDUCTANCE OR INDUCTANCE TO RESISTANCE (L/R) RATIO OF THE INTERCONNECTING CABLE MUST NOT EXCEED THE FOLLOWING:  

$$C \text{ cable} \leq C_a - C_i$$

$$L \text{ cable} \leq L_a - L_i$$
5. THE HAZARDOUS AREA CABLE IS TO BE INSTALLED AS EITHER A SEPARATE CABLE OR A SEPARATE CIRCUIT WITHIN A "TYPE A" CABLE OR CONDUIT. THE PEAK VOLTAGE OF ANY CIRCUIT IN THE "TYPE B" CABLE MUST NOT EXCEED 60V.
6. THE INSTALLATION MUST COMPLY WITH THE APPROPRIATE NATIONAL INSTALLATION REQUIREMENTS. EXAMPLE: UK, BS5345 PART 4 (1977).

⑦ REFER TO SPECIFICATION DRAWING 9163 FOR ADDITIONAL INSTALLATION AND WIRING DETAILS. MODE 8200-001 CONDUIT ELBOW OR OTHER IP 20 RATED FITTING MUST BE EMPLOYED TO PROTECT THE ELECTRICAL CONNECTION. MATERIAL OF FITTING MUST CONTAIN LESS THAN 6% MAGNESIUM.

<p>THIS DOCUMENT AND ALL INFORMATION HEREON IS UNCLASSIFIED EXCEPT WHERE SHOWN OTHERWISE. APPROVAL MUST BE OBTAINED BEFORE IT IS REPRODUCED OR TRANSMITTED IN ANY FORM OR BY ANY MEANS. THIS DOCUMENT IS ISSUED TO ORDER PURSUANT TO THE DOCUMENT MUST BE RETURNED UPON REQUEST.</p>	
<p>UNLESS OTHERWISE SPECIFIED, ALL DIMENSIONS ARE IN MILLIMETERS. ALL DIMENSIONS ARE TO CENTER UNLESS OTHERWISE SPECIFIED.</p>	
<p>PARTIAL: _____</p> <p>TRAFFIC: _____</p>	<p>DATE: _____</p> <p>REV: _____</p>
<p>NAME: _____</p> <p>ADDRESS: _____</p> <p>PHONE: _____</p> <p>FAX: _____</p> <p>EMAIL: _____</p> <p>WEBSITE: _____</p>	<p>DO NOT SCALE DRAWING</p> <p>SCALE: _____</p> <p>DATE: _____</p> <p>BY: _____</p> <p>CHECKED: _____</p> <p>APPROVED: _____</p> <p>STORAGE: _____</p> <p>REVISIONS: _____</p>
<p><b>METRIX</b></p> <p>INSTALLATION</p> <p>ST5484E-XXX</p> <p>TRANSMITTER</p> <p>NUMBER: 91426-AGENCY</p> <p>SHEET: 1 OF 1</p>	



**WARNING:****ATEX Conditions for Safe Use (Ex ia)**

The ST5484E is intrinsically safe and can be used in potentially explosive atmospheres. This transmitter must only be associated to intrinsically safe certified apparatus, and this combination must be compatible as regards **intrinsic safety**. The electrical parameters of certified equipment connected to the transmitter must meet the following criteria:

$U_o \leq 29.6$  VDC,  $I_o \leq 100$ mA;  $P_o \leq 0.75$ W  
Ambient operating temperature -40°C to +100°C

must meet all of the flame-proof requirements of the local governing agency and facility safety procedures. The Metrix part 8200-001-IEC elbow is required to meet this approval.

**WARNING:****ATEX Conditions for Safe Use (Ex d)**

For temperature classification and safety:

- Use conduit elbow, Metrix reference 8200-001-IEC, which is a Killark product with reference: Y-3-EX.
- Ambient Operating Temperature: -40°C to +100°C

#### **4. ELECTROMAGNETIC COMPATIBILITY**

In order to meet the requirements of electromagnetic compatibility in areas of high electromagnetic interference, the field wiring must be:

- Shielded twisted pair cable enclosed in grounded metallic conduit, or
- Double shielded twisted pair cable with a metallic body cable gland fitting and with the outer shield grounded.

Use standard two-conductor, twisted pair, shielded wiring for the long run to the instrumentation enclosure. The transmitter is connected like other loop-powered end devices.



**NOTE:** Metrix also strongly recommends the use of our ferrite bead kit (Metrix p/n 100458) as an extra precaution against electromagnetic interference that may be induced in field wiring from subsequently bleeding into the transmitter.

#### **5. CONNECTION TO PLC OR OTHER INDICATING INSTRUMENT**

The first step in configuring the PLC, DCS, or other recording instrument is to determine the source of power. The ST5484E requires loop power. Some analog input channels on a PLC or DCS, for example, provide this power from within. If they do not provide power, an external power supply must be provided. Connect the transmitter field wiring using standard instrumentation practices.

Scaling of the display is on the basis of the range of the transmitter. The measurement parameter name is “vibration” and the units are “in/s” (inches per second) or “mm/s” (millimeters per second). The example below is based on a standard 1.0 in/s transmitter.

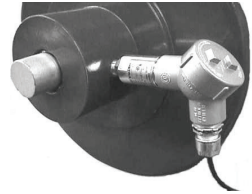
When vibration level at transmitter is...	Transmitter output will be...	PLC (or other) should read...
0.0 in/s (i.e. no vibration)	4.0 mA (± 0.1 mA)	0.00 in/sec
1.0 in/s (i.e. full scale vibration)	20.0 mA (± 0.5 mA)	1.00 in/sec

Momentary “jolts” that can occur at start-up, or during some operating condition changes, do not reflect a machine’s steady-state operating condition. To prevent such occurrences from generating nuisance alarms, program a time delay into the alarm such that the indicated vibration level must persist above the alarm setpoint for a preset period of time before an alarm is generated. The indicated vibration level must cross the threshold level and stay above it for a preset time before any alarm action is taken. A 2- to 3-second delay is normally applied to most machinery. Consult Metrix if you have a question about your machine’s operating characteristics.

Some rough starting machinery may also need a start-up time lockout for alarms. A start-up lockout is different than a time delay. A start-up lockout functions the same as a time delay, but is usually set to a much longer time. Both may be needed.

## 6. TYPICAL TRANSMITTER PLACEMENT

The ST5484E measures seismic vibration (i.e., vibration velocity) at the attachment point on the machine, using engineering units of in/s (inches per second) or mm/s (millimeters per second) depending on the selected ordering option. The transmitter’s sensitive direction is through the long axis of its cylindrical body. It will not measure side-to-side motion. Typical transmitter mounting for casing vibration measurements is in the horizontal direction at the bearing housings as depicted in Figure 2. The horizontal direction usually incurs more vibration because most machines’ foundation constrains vertical vibration more than horizontal vibration. A horizontal mounting arrangement is also depicted in Figure 3, but with additional detail showing typical accessories. When flying leads are ordered, a 24- or 72-inch length may be specified using ordering option D on the Metrix product datasheet 1004457. These leads may be cut to length and then spliced to field wiring as shown in Figure 3.



**Figure 2**  
Typical transmitter mounting



**NOTE:** Hazardous area locations do not allow a splice at the location shown in Figure 3. Instead, the splice must be made in a second conduit hub (meeting splicing requirements) located at the end of flexible conduit.

When attaching conduit to the transmitter, observe the following:

- Because the transmitter is sensitive to vibration, avoid unsupported lengths of conduit and excessive mass (such as large hubs or junctions) hanging directly off the end of the transmitter. These can introduce unwanted vibrations that do not reflect actual machinery vibration and cause mechanical stresses that can lead to premature transducer failure.
- A “Y” type conduit elbow, such as the Metrix 8200 series, is preferred because it prevents the conduit from extending too far away from the transmitter, thus limiting the likelihood of breakage. It also precludes long unsupported lengths of conduit directly aligned with the transmitter’s bore (longitudinal axis) as noted in the bullet above.
- Avoid attachment of rigid conduit directly to the transmitter; instead, use a small length of flexible conduit to mechanically isolate the transmitter from vibration that might occur in rigid conduit.
- If a 1-inch to 3/4-inch reducer is used at the elbow, a smaller diameter flexible conduit can be used.

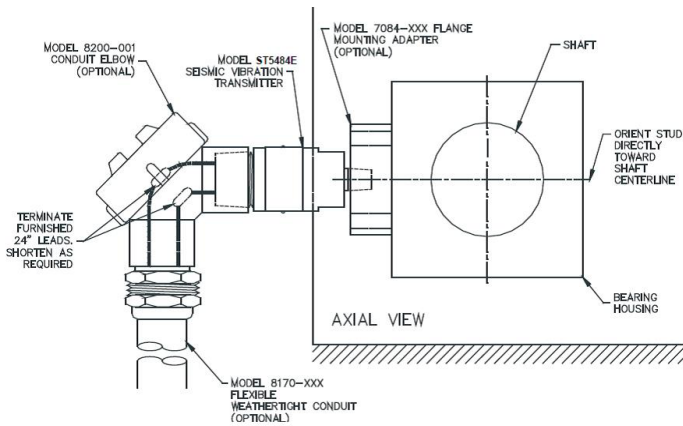


Figure 3

## 7. INSTALLATION BEST PRACTICES FOR RFI IMMUNITY

The ST5484E is case isolated from the loop power connection to the PLC, DCS, SCADA, or other +24 VDC alarm system. With the correct grounding scheme, this type of isolation avoids ground loops and results in good RF immunity. However, in situations which involve interference from high-powered transmitters and especially spread-spectrum type radios, the ST5484E may become vulnerable to RF noise.

Since it is often difficult to identify these situations in advance, Metrix strongly recommends utilizing the following Best Practices when installing all ST5484E transmitters in the field:

1. Twist the sensor leads together (at least 10 twists per foot).
2. Slide the twisted leads through the included ferrite core and position as close to the sensor as practical. Refer to Figures 4 and 5.
3. If possible, cut the leads short and use a shielded twisted pair. Follow step 2 in this application as well.

As shown in Figure 5, “chokes” that attenuate different frequencies can be created by looping a different number of turns through the ferrite core. More wire turns adds more inductance, attenuating progressively lower frequencies. Multiple “chokes” can be created in this manner and placed in series on the wire leads to cover a broad frequency band. Always locate the choke covering the higher frequency band closest to the sensor.

## 8. CALIBRATION

The ST5484E transmitter has been factory calibrated for the full-scale vibration level marked on the label. If the calibration is in doubt, the unit can be verified in the field by following the procedures outlined below. Note that there are no Zero and Span adjustments on the transmitter. Additionally, the transmitter uses a true RMS amplitude detection circuit; units

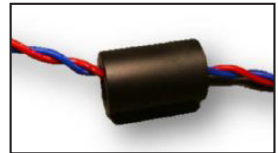


Figure 4: Leads may be simply fed straight through the ferrite core.

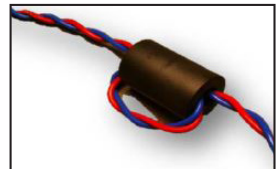


Figure 5: Leads may also be looped through the ferrite core to attenuate different frequencies. The optimal number of loops will vary by application and the interfering frequency(ies).



supplied with a full scale range in peak units scale the underlying RMS measurement by a factor of 1.414 to provide a “derived peak” rather than true peak measurement.

### 7.1 Zero Verification

In the absence of vibration the output current should be  $4 \text{ mA} \pm 0.1 \text{ mA}$ . If the ambient vibration exceeds 2% of full scale, the transmitter should be removed from the machine and placed on a vibration free surface for this measurement. Often a piece of foam can be used to isolate the transmitter from external motion.

### 7.2 Span Verification

Subject the transmitter to a known vibration within the full scale range marked on the label. If you are using a portable vibration shaker where it can be tested at full scale, the output should be  $20 \text{ mA} \pm 0.5 \text{ mA}$ .

## 9. OPTIONAL DYNAMIC OUTPUT

The transmitter can be ordered with an optional dynamic output. Transmitters supplied with this option can be identified by the presence of four flying leads instead of two (Figure 6), or four terminal connections instead of two (Figure 7).

The dynamic output is an acceleration signal with a sensitivity of 100 mV/g, filtered to the same frequency band as used for the 4-20mA velocity measurement (refer to options E and F on the Metrix Datasheet 1004457).

Observe the following when using this output:

- Only an electrically-isolated or battery-powered portable vibration analyzer should be used when connecting to this output. Since this is a loop-powered device, an external ground will affect the loop output and could cause a false alarm.
- When using a portable vibration analyzer or data collector, be sure to turn the instrument sensor power off.
- Most portable vibration analyzers have a low input impedance and they will load this signal, resulting in attenuation of as much as 20% to 30%. Refer to Table 1 which shows the nominal attenuation expected for a given input impedance.
- In all cases for all locations, the use of this signal is for temporary connection only. Permanent connection could violate hazardous location installation requirements.
- Avoid impacting the transmitter or introducing other mechanical vibrations when connecting to this output. Such vibration could result in spurious alarms or machinery trips.
- When output is not in use, be sure leads cannot touch conduit or each other as this will affect the 4-20 mA current output.

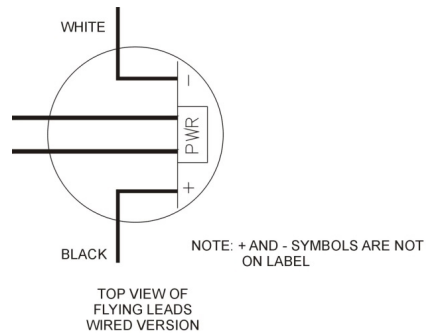


Figure 6 – Top view showing optional dynamic output connections on transmitters with flying leads

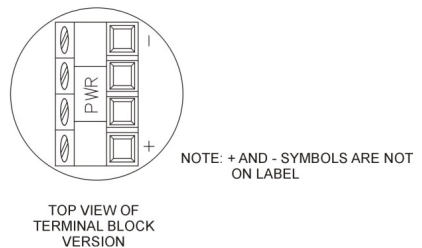


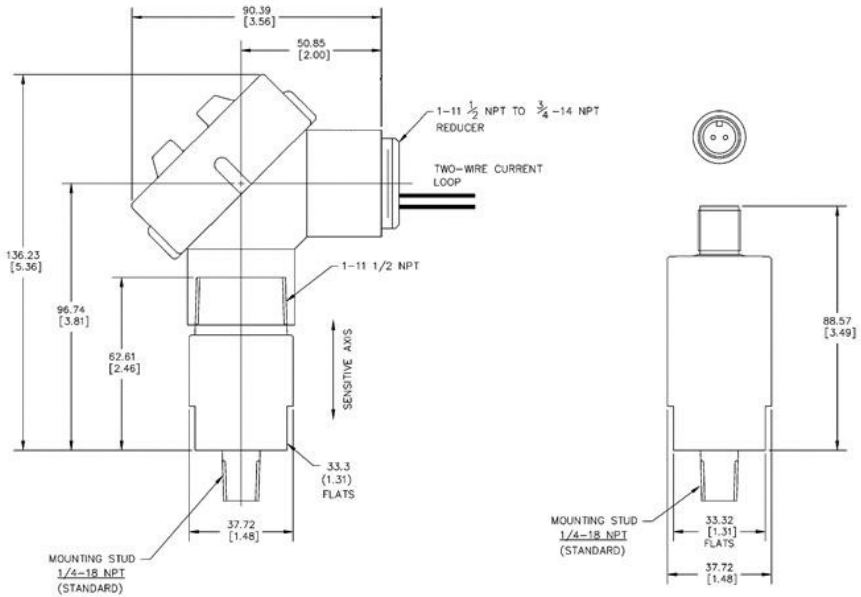
Figure 7 – Top view showing optional dynamic output connections on transmitters with terminal blocks

- Avoid introducing electrical noise when using this output. Do not use this output with leads longer than 5m (16 feet). Use of longer leads can introduce electrical noise and attenuate high-frequency signal content that may be present in the raw acceleration signal.

<b>Table 1</b>	
<b>Input Impedance of Analyzer</b>	<b>dB Attenuation</b>
10 MEG	0.01
5 MEG	0.02
2 MEG	0.04
1 MEG	0.09
500 K	0.18
200 K	0.43
100 K	0.84
50 K	1.61
20 K	3.57
10 K	6.10

## 10. SPECIFICATIONS, ORDERING INFORMATION AND OUTLINE DIMENSIONAL DIAGRAMS

Refer to Metrix product datasheet 1004457 for additional information.



**Figure 1:** Outline dimensions of the ST5484E (all versions except MIL-Style Connector). Dimensions in mm [inches]. Optional\* 8200-001 conduit elbow shown installed.

**Figure 2:** Outline dimensions of the ST5484E-XXX-XX4-XX (MIL-Style Connector). Dimensions in mm [inches].

\* **NOTE:** 8200-AAA-IEC elbow is mandatory for ATEX/IECEX/INMETRO Ex d (flameproof) approved installations.

## **11. ENVIRONMENTAL INFORMATION**



This electronic equipment was manufactured according to high quality standards to ensure safe and reliable operation when used as intended. Due to its nature, this equipment may contain small quantities of substances known to be hazardous to the environment or to human health if released into the environment. For this reason, Waste Electrical and Electronic Equipment (commonly known as WEEE) should never be disposed of in the public waste stream. The “Crossed-Out Waste Bin” label affixed to this product is a reminder to dispose of this product in accordance with local WEEE regulations. If you have questions about the disposal process, please contact Metrix Customer Service.

[info@metrixvibration.com](mailto:info@metrixvibration.com)

[www.metrixvibration.com](http://www.metrixvibration.com)

8824 Fallbrook Dr. Houston, TX 77064, USA

Tel: 1.281.940.1802 • Fax: 1.713.559.9421

After Hours (CST) Technical Assistance: 1.713.452.9703