

5499 PROXIMITY PROBE HOUSING

Installation Manual



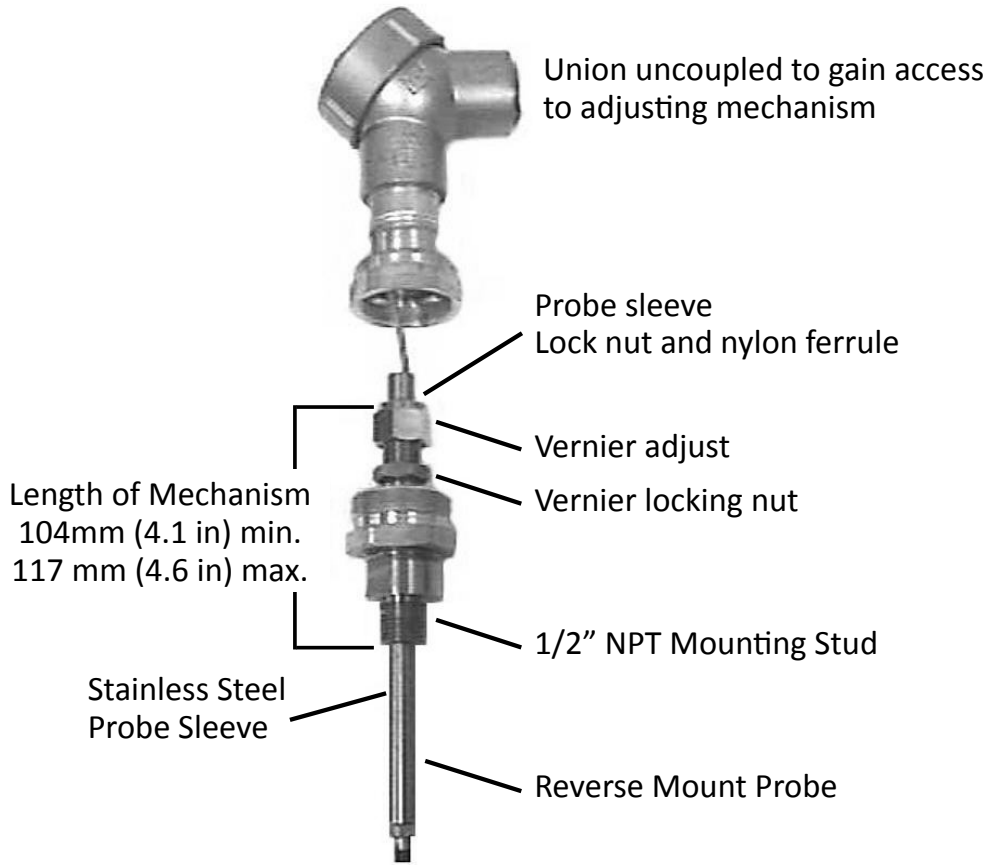
OVERVIEW

Unique design provides a quick and convenient method for mounting and adjusting a proximity probe. As the probe sleeve is smooth and unthreaded, it can be installed without engaging screw threads or disconnecting the probe cable. The vernier adjustment is made by turning the threaded bushing. A union fitting in the housing allows the elbow to be lifted off to give full access to the mechanism, which is adjusted as follows:

1. Loosen the probe sleeve locking nut and slide the probe sleeve through the bushing to the approximate required depth. Tighten the locking nut. If the sleeve is too long, it can be cut to the correct length at installation, i.e., an exact length need not be specified.

2. Loosen the vernier locking nut and turn the bushing to make the final adjustment of the probe gap. Tighten the nut.

This space saving design allows easier installation in tight quarters. The O-rings and nylon ferrule provide sealing against internal pressure up to 1380 kPa (200 psi).



7982 STANDOFF ADAPTER

Installs between probe holder assembly and mounting surface, when required for better accessibility. Thread is 1/2" NPT both ends. Standard length is 102 mm (4 in).

