

Part No.

# NPAK-0012

*NPAK fine adjust piston only (for #7)*

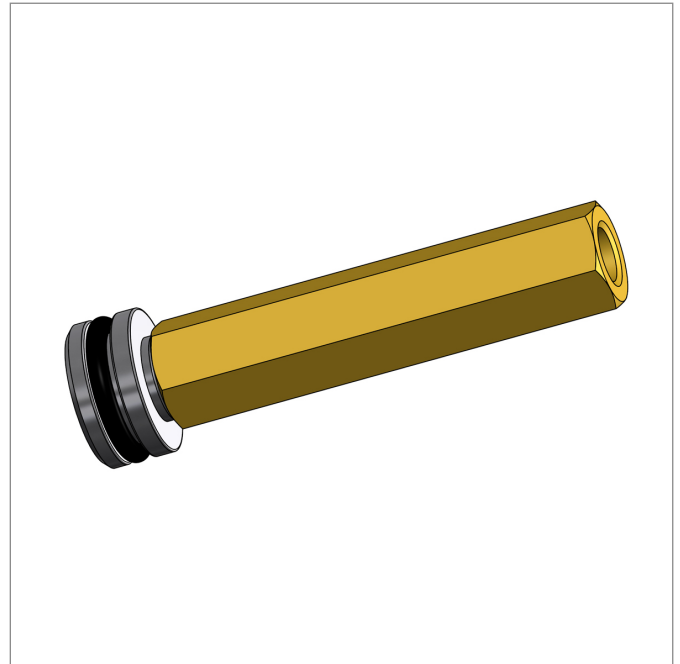
---

Replacement parts for hand pumps, calibration manifolds, nitrogen sources and volume controllers

---

## Features

- Made in the USA



NPAK-0012

## Specifications

Construction	Aluminum, Brass
Seal materials	Buna-N, Teflon