

## Highlights

- Multiple sensor design (up to 8 sensing heads for 1 box)
- Plug & Play (automatic head detection)
- Rugged IP rated metal box or fast mountable DIN rail box
- All boxes support all MI3 spectral models
- Failsafe functions (internal temp., break of head cable)
- Isolated alarm relay output
- User configurable inputs for remote sensor configuration
- Analog outputs with galvanic isolation
- USB 2.0 interface as standard
- Optional serial RS485 communication interface with the protocols: ASCII, Profibus, Modbus®
- Optional Ethernet communication interface with the protocols: ASCII, http, Profinet IO
- Intuitive user interface with high resolution LCD display
- Advanced on-board signal processing like: peak & valley hold, intelligent averaging (flicker)
- DataTemp® Multidrop Software for remote monitoring

### Measurement Specifications

#### Accuracy

mA / V output	±1°C
Thermocouple output	±1.5°C

#### Temperature Resolution

mA/V output	±0.1°C (±0.2°F) <sup>1</sup> / 12 bit (metal box, MI3COMM)
mA/V output	±0.02°C (±0.04°F) / 16 bit (analog DIN rail box)

#### Temperature Coefficient

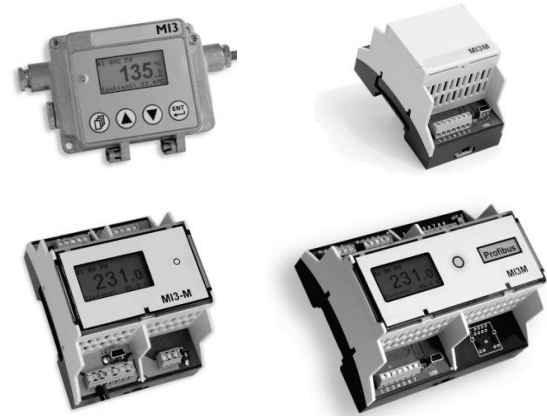
mA/V output	± 0.02 K / K
Thermocouple output	± 0.05 K / K

<sup>1</sup> for a zoomed temperature span of < 500°C (932°F)

### Interfaces

<b>Outputs</b>	4 – 20 mA, 0 – 20 mA, 0 – 5 V, or 0 – 10 V J, K, R, or S thermocouple, 0 – 5 V head ambient signal
<b>Thermocouple</b>	J: -40 to 600°C (-40 to 1112°F) K: -40 to 800°C (-40 to 1472°F) R/S: 250 to 1800°C (482 to 3272°F)
<b>Relay</b>	48 V / 300 mA (solid-state relay, potential-free)
<b>Inputs (1 - 3)</b>	1. Emissivity ε setting (analog, 0 - 5 V <sub>DC</sub> ) 2. Background radiation compensation (analog, 0 - 5 V <sub>DC</sub> ) 3. Trigger/hold or laser switching (digital, high/low) or digital emissivity control via inputs 1 to 3
<b>Communications</b>	USB 2.0 RS485 Profibus DP-V0 Profinet IO Ethernet TCP/IP, http and 64 MB data logger Modbus RTU

## MI3 Box Datasheet



### General Specifications

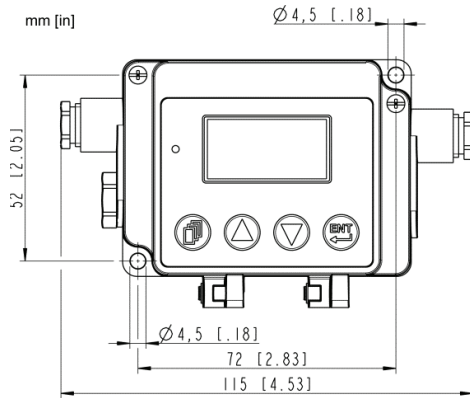
<b>Power Supply</b>	8 to 32 VDC, 5 W
<b>Ambient Temperature</b>	-10 to 65°C (14 to 149°F)
<b>Storage Temperature</b>	-20 to 85°C (-4 to 185°F)
<b>Environmental</b>	IP65 / NEMA-4 (MI3COMM only)
<b>EMC</b>	EN 61326-1:2006
<b>Material</b>	die cast zinc (MI3COMM) molded plastic (all other boxes)

Comm Box	MI3COMM...	MI3MCOMM DIN 3TE	MI3MCOMM DIN 4TE	MI3MCOMM... DIN 6TE
<b>Firmware</b>	8 heads	8 heads	8 heads	8 heads
<b>Wiring</b>	1 head	4 heads	4 heads	4 heads
<b>Display, Button</b>	✓	–	✓	✓
<b>Outputs:</b>				
mA / V	✓	–	–	4x (optional)
TC	✓	–	–	–
Relay	✓	✓	✓	✓
<b>Inputs:</b>				
ε – analog	✓	–	–	–
ε – digital	✓	–	–	–
T <sub>Background</sub>	✓	–	–	–
Trigger/Hold	✓	✓	✓	✓
Laser Switch	✓	✓	✓	✓
<b>Interfaces:</b>				
USB	standard	standard	standard	standard
RS485	optional	–	standard	–
Profibus	optional	–	–	optional
Profinet	optional	–	–	optional
Ethernet	optional	–	–	optional
Modbus	optional	–	–	optional

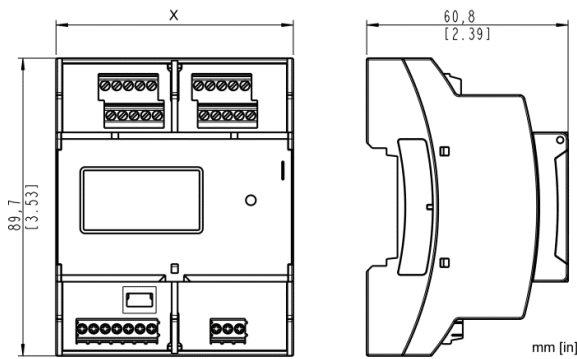
## Dimensions

### Metal Box (MI3COMM)

Height: 31.5 (1.2)



### DIN Rail Box (MI3COMM...)



Width	MI3COMMN	MI3COMM	MI3COMM...
X	DIN 3TE: 53.6 mm (2.1 in)	DIN 4TE: 71.6 mm (2.8 in)	DIN 6TE: 107.6 mm (4.2 in)

## Options

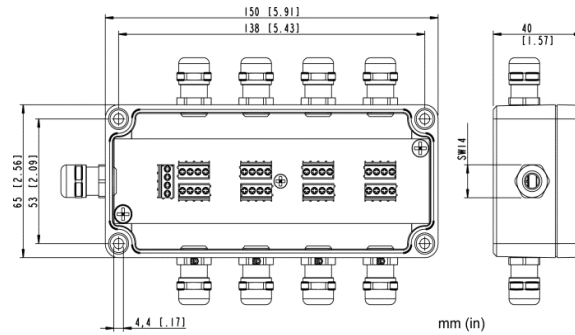
Options must be specified at time of order.

- Fieldbuses for Comm Box:  
RS485, Profibus, Profinet, Ethernet, Modbus
- 4 analog output channels for Comm Box, DIN 6TE:  
mA or V, all channels electrically isolated

## Accessories

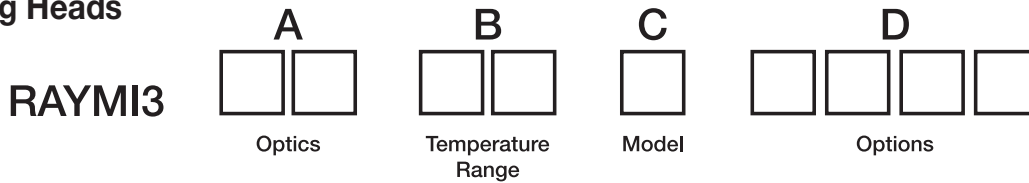
Accessories include items that may be ordered at any time and added on-site:

- Multi-Channel Box to support up to 8 sensing heads in a network (XXXMI3CONNBOX)
- USB/RS485 Adapter for boxes with RS485 interface (XXXUSB485)



Multi-Channel Box (XXXMI3CONNBOX)

## Sensing Heads



Each MI3 sensor system is comprised of (1) MI3 sensing head and (1) MI3COMM or MI3MCOMM communication module. The sensing head includes one mounting nut and 1m (3.3ft) cable. Longer cables up to 30 m (100ft) maximum are available and must be specified at time of order. The MI3 sensing head and MI3COMM box are ordered as separate items.

Model	Description
RAYMI3	Miniature infrared sensing head with 1 meter (3.3ft) cable
Code A	Optical Resolution
02	2:1
10	10:1
Code B	Temperature Range
LT	-40°C to 600°C (-40°F to 1112°F) Note: 0°C to 1000°C (32°F to 1832°F) for LTF and LTS 22:1 models
G5	250°C to 1650°C (482°F to 3002°F)
Code C	Model
S	Standard sensing head, 120°C (248°F) maximum ambient
F	Fast response sensing head, 20 mSec response time, 120°C (248°F) maximum ambient (10:1 head only)
H	High ambient sensing head, up to 180°C (356°F)
Code D	Options
CB3	3m (10ft) cable
CB8	8m (26ft) cable
CB15	15m (49ft) cable
CB30	30m (98ft) cable

## Communication Boxes

Model	Description
RAYMI3COMM	MI3 IR thermometer communication box with USB 2.0 communications, cast zinc housing and user-interface
RAYMI3COMM4	MI3 IR thermometer communication box with USB 2.0 communications and RS-485 communication option, cast zinc housing and user-interface
RAYMI3COMMM	MI3 IR thermometer communication box with USB 2.0 communications and Modbus communication option, cast zinc housing and user-interface
RAYMI3COMMP	MI3 IR thermometer communication box with USB 2.0 communications and Profibus communication option, cast zinc housing and user-interface
RAYMI3MCOMM	Modular DIN mountable 4-channel IR communication box with user interface, USB 2.0 and RS485 communications
RAYMI3MCOMMM	Modular DIN mountable 4-channel IR communication box with user interface, USB 2.0 and Modbus communications
RAYMI3MCOMMP	Modular DIN mountable 4-channel IR communication box with user interface, USB 2.0 and Profibus communications
RAYMI3MCOMMN	Modular DIN mountable 4-channel IR communication box with no user interface, display or RS485 interfaceIncludes USB 2.0 and alarm relay, only
RAYMI3MCOMMA	Modular DIN mountable 4-channel IR communication box with user interface, USB 2.0 and 4 galvanic isolated analog outputs
RAYMI3COMME	MI3 IR thermometer communication box with USB 2.0 communications and Ethernet communication and built in HTTP-Server option, cast zinc housing and user-interface
RAYMI3COMMPN	MI3 IR thermometer communication box with USB 2.0 communications and Profinet communication, cast zinc housing and user-interface
RAYMI3MCOMME	Modular DIN mountable 4-channel IR communication box with user interface, USB 2.0 and Ethernet interface with built-in HTTP-Server.
RAYMI3MCOMMPN	Modular DIN mountable 4-channel IR communication box with user interface, USB 2.0 and Profinet interface.

## The Worldwide Leader in Noncontact Temperature Measurement

**Raytek Corporation**  
**Worldwide Headquarters**  
 Santa Cruz, CA USA  
 Tel: 1 800 227 8074 (USA and Canada, only)  
 1 831 458 3900  
 solutions@raytek.com

**European Headquarters**  
 Berlin, Germany  
 Tel: 49 30 4 78 00 80  
 raytek@raytek.de

**China Headquarters**  
 Beijing, China  
 Tel: 8610 6438 4691  
 info@raytek.com.cn

**www.raytek.com**

To find a Raytek office near you, please visit [www.raytek.com](http://www.raytek.com)

### Worldwide Service

Raytek offers services, including repair and calibration.  
 For more information, contact your local office or e-mail [support@raytek.com](mailto:support@raytek.com)



Raytek is an ISO 9001 certified company

© 2015 Raytek Corporation (3783599 Rev H) 4/2015  
 Raytek, the Raytek logo and DataTemp are registered trademarks of Raytek Corporation.  
 Modbus is a registered trademark of the Modbus Organization, Inc  
 Specifications subject to change without notice.