

PV212

Druck Hydraulic Hand Pump

Features

- Pressures to 10,000 (690 bar) or 15,000 psi (1000 bar)
- Compatible with distilled water or mineral oil
- Quick priming function
- Optional adjustable pressure relief valve

The PV212 is a high quality hand pump designed to quickly and easily generate hydraulic pressures. The materials of construction make it compatible with most fluid media and an optional seal kit can be supplied for many aggressive applications. The built-in vernier provides excellent control and is easy to adjust even at high pressures.

The dual stage pump includes a selector valve which increases the priming speed and greatly reduces the effort required to generate high pressures. An optional pressure relief valve can be supplied to provide protection to connected instruments.



- Hydraulic pressure sources for pressures up to 15,000 psi (1000 bar)
- Large volume Pyrex™ reservoir which can be filled during operation
- Vernier adjust for fine control
- Quick priming and pressure generation
- Optional pressure relief valves
- Pressure release valve offers outstanding control for decreasing pressures
- “Skydrol”, “Fyrquel”, brake fluid option available



PV212 Specifications

General

Ranges

- PV212-10K (0 to 10,000 psi/0 to 700 bar)
- PV212-15K (0 to 15,000 psi/0 to 1000 bar)

Materials

Series 300 stainless steel, brass, nickel plated brass, Pyrex™, Nitrile, polyurethane and PTFE

Dimensions (l x w x d)

9 in x 6.25 in x 2.75 in (23 cm x 16 cm x 7 cm)

Weight

Approximately 3.2 lb (1.4 kg)

Ordering Information

Record selected option in blank indicated at bottom of form.

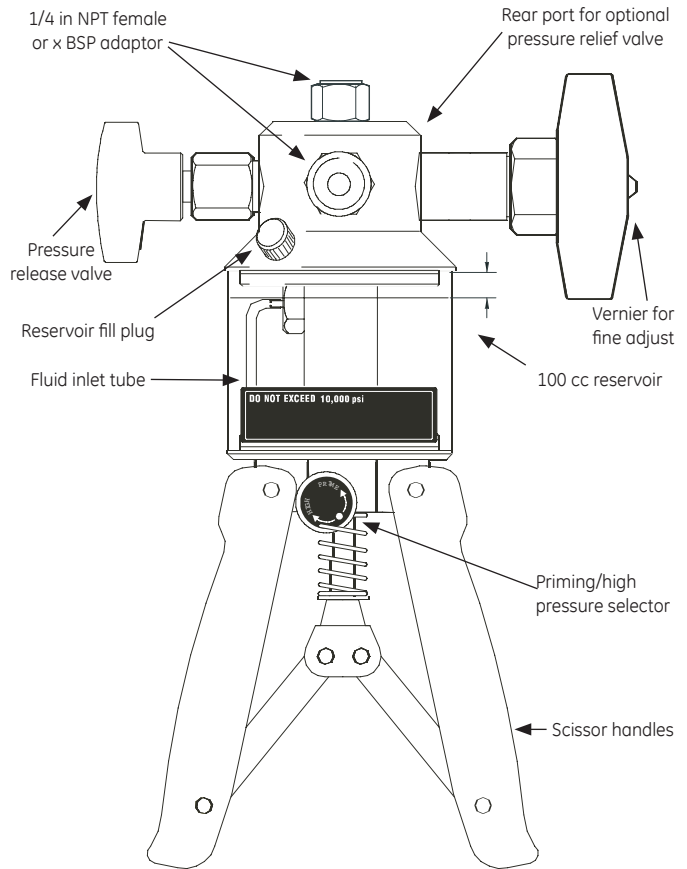
- 1) Type number
- 2) Option S: Skydrol/Fryquel (if required)
- 3) Option HA: Accessory case (if required) PV212-10K-HA or PV212-15K-HA

Model	Ranges	
PV212	10K	10,000 psi (690 bar)
	15K	15,000 psi (1000 bar)

↓ ↓

PV212 - Use this number to order product

For service kit specify P/N: IAS-A112-1 for PV212-10K or PV212-SK for PV212-15K



PV212 Accessories

HK15 High Pressure Hose Kit

15,000 psi (1000 bar) Working Pressure

The HK15 is a quality high pressure hose kit designed to operate with the PV212. The standard stainless steel/nylon construction is suitable for use with oil or water and optional seals can be provided to accommodate 'Skydrol' and brake fluid.

The HK15 offers the following:

- Self-sealing fittings—finger tight connections
- Low volumetric expansion—negligible pressure drop
- Heavy duty construction

HK15 Specifications

Working Pressure

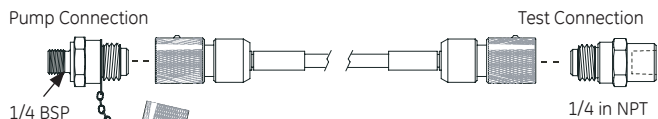
15,000 psi (1000 bar)

Minimum Burst Pressure

36,200 psi (2500 bar)

Minimum Bend Radius

2.25 in (5.7 cm)



HK 15 schematic

Working Temperature

-22°F to 176°F (-30 °C to 80 °C)

Construction

Nylon, stainless steel, brass, PTFE, nitrile

Outer Diameter

0.25 in (6.4 mm)

Bore

0.13 in (3.3 mm)

Fluids

Water and oil standard, 'Skydrol' or brake fluid versions available

HK15 Ordering Information

Record selected option in blank indicated at bottom of form.

Model	'Relief' Pressure Range
HK15	0 Standard version
	S Skydrol version
↓	↓
HK15	- _ Use this number to order product

PV212 Accessories

PRV212 Adjustable Pressure Relief Valves

The PRV212 is a pressure relief valve designed for use with the PV212 Series of hydraulic hand pumps to provide overpressure protection to instruments under test. The PRV212 mount directly on to the PV212 and are supplied in factory preset configurations which can be adjusted for specific requirements.

PRV212 Specifications

Material

303 stainless steel

Seals

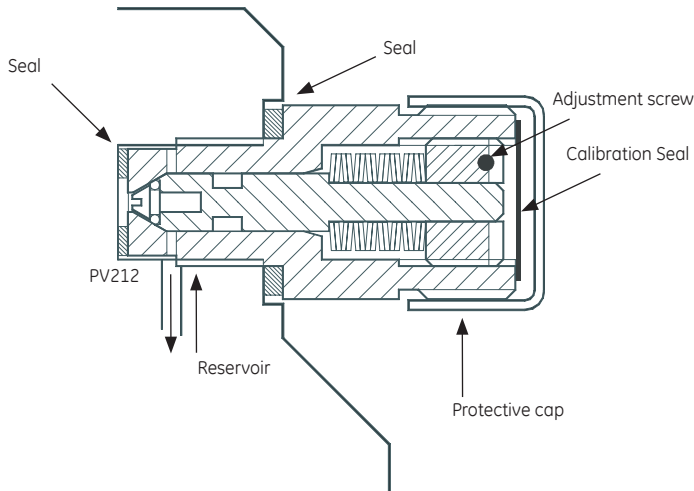
Polyurethane, PTFE, nitrile, nylon

Fluid Media

Mineral oil, distilled water, 'Skydrol' version optional

Maximum Working Pressure

15,000 psi (1000 bar)



Dimensions

1.6 in x .87 in diameter (4 cm x 2.2 cm)

Weight

2.1 oz (62 ml)

Accuracy/Repeatability

±10% nominal setting

PRV212 Ordering Information

Record selected option in blank indicated at bottom of form.

Model	'Relief'	Pressure Range
PRV212	1	145 to 725 psi (10 to 50 bar)
	2	725 to 2900 psi (50 to 200 bar)
	3	2900 to 5800 psi (200 to 400 bar)
	4	5800 to 10,000 psi (300 to 700 bar)
	5	10,000 to 15,000 psi (600 to 1000 bar)

PRV212 - Use this number to order product



www.gesensinginspection.com

920-226B